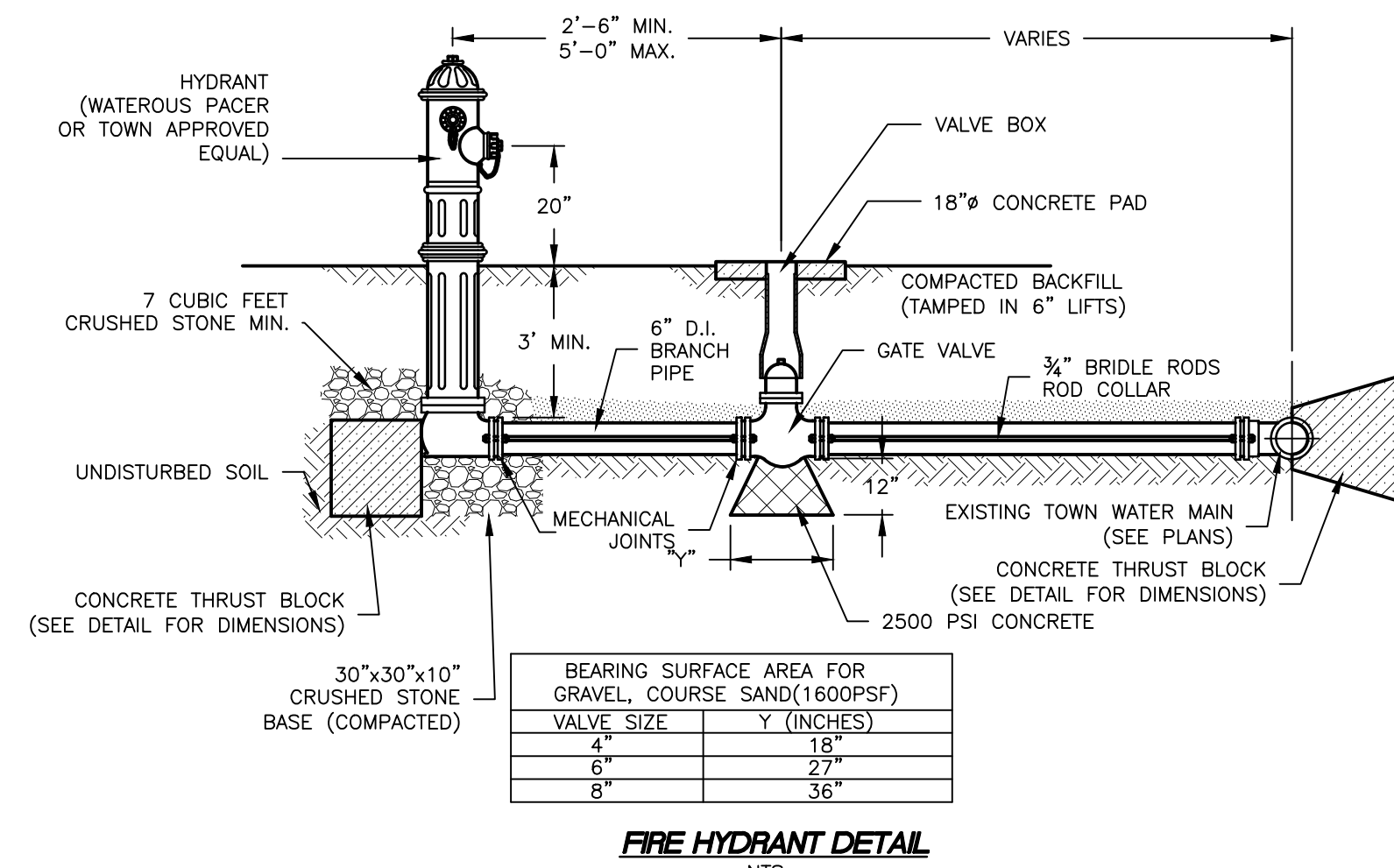


**WATERLINE NOTES:**

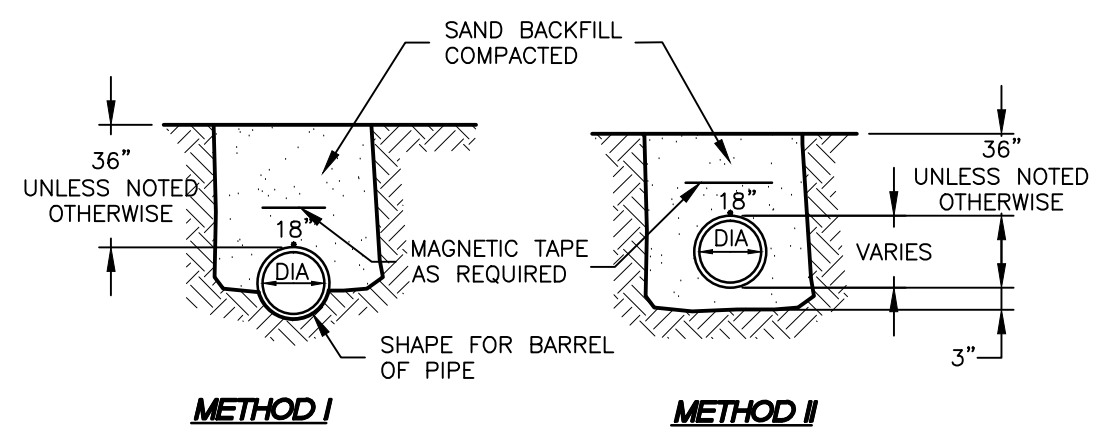
1. NEW 2" SCH 40 PVC WATERLINE AND FIRE HYDRANT (ON US 158 WATERMAIN), MATERIALS AND INSTALLATION SHALL BE INSTALLED AS INDICATED ON THE PLANS AND IN ACCORDANCE WITH THE TOWN OF NAGS HEAD WATERLINE SPECIFICATIONS AND STANDARDS AND ALL APPLICABLE REGULATIONS.
2. EXISTING OVERHEAD AND UNDERGROUND ELECTRICAL, CABLE TV, AND TELEPHONE LINES SHALL BE PROTECTED DURING CONSTRUCTION.
3. A PRE-CONSTRUCTION MEETING SHALL BE SCHEDULED WITH THE TOWN OF NAGS HEAD WATER DEPARTMENT AND THE UNDERGROUND UTILITY CONTRACTOR PRIOR TO THE COMMENCEMENT OF CONSTRUCTION.
4. ALL MECHANICAL JOINTS SHALL USE ROMAC INDUSTRIES, INC. GRIP-RING PIPE RESTRAINERS IN ACCORDANCE WITH ALL MANUFACTURERS GUIDELINES.
5. UNDERGROUND UTILITY LOCATIONS ARE APPROXIMATE AND BOTH SHALL BE FIELD VERIFIED PRIOR TO COMMENCEMENT OF ANY CONSTRUCTION ACTIVITIES. ADDITIONALLY, THE CONTRACTOR SHALL NOTIFY BOTH NC ONE CALL (811) AND THE MUNICIPALITY'S WATER DEPARTMENT 48 HOURS PRIOR TO ANY CONSTRUCTION ACTIVITIES IN ACCORDANCE WITH APPLICABLE REGULATIONS.
6. TRENCHING, PIPE LAYING, AND BACKFILLING SHALL BE ACCOMPLISHED IN A MANNER TO PREVENT DAMAGE AND MISALIGNMENT OF THE PIPE. WATERLINES SHALL BE BURIED TO A DEPTH SUFFICIENT TO PROVIDE A MINIMUM 36 INCHES OF COVER.
7. NEW WATERLINES SHALL BE TESTED FOR LEAKAGE AND ANY NECESSARY REPAIRS AND RE-TESTING SHALL BE ACCOMPLISHED AS SPECIFIED IN THE AWWA C600 AND THE TOWN OF NAGS HEAD STANDARDS.
8. ALL VALVES INSTALLED IN WATER DISTRIBUTION SYSTEMS SHOULD MEET AWWA C500, C504, C507, C509 AND ANY OTHER APPROPRIATE STANDARDS AS PUBLISHED BY THE AMERICAN WATER WORKS ASSOCIATION, INC. COPIES ARE AVAILABLE FOR PUBLIC INSPECTION AT THE PRINCIPAL ADDRESS OF THE PUBLIC WATER SUPPLY SECTION, DIVISION OF ENVIRONMENTAL HEALTH. FURTHER, ALL VALVES MUST BE INSTALLED IN SUCH A MANNER AS TO BE READILY ACCESSIBLE BY THE USE OF AN APPROPRIATE VALVE BOX AND COVER.
9. WATER DISTRIBUTION SYSTEMS, AFTER FLUSHING TO REMOVE SEDIMENT AND OTHER FOREIGN MATTER AS DIRECTED BY THE TOWN OF NAGS HEAD WATER DEPARTMENT, AND AFTER TESTING FOR LEAKS, SHALL BE DISINFECTED BY THE ADDITION AND THOROUGH DISPERSION OF A CHLORINE SOLUTION IN CONCENTRATIONS SUFFICIENT TO PRODUCE A CHLORINE RESIDUAL OF AT LEAST 50 MILLIGRAMS PER LITER (OR PPM) IN THE WATER THROUGHOUT THE DISTRIBUTION SYSTEM PER AWWA C651.
10. THE CHLORINE SOLUTION SHALL REMAIN IN CONTACT WITH INTERIOR SURFACES OF THE WATER SYSTEM FOR A PERIOD OF 24 HOURS, THEN THE WATER SYSTEM SHALL BE FLUSHED WITH FRESH WATER FROM AN APPROVED WATER SOURCE UNTIL THE CHLORINE SOLUTION IS DISPELLED.
11. AFTER AN ADDITIONAL 24 HOURS, REPRESENTATIVE SAMPLES OF THE WATER SHALL THEN BE COLLECTED AND TESTED BY A CERTIFIED LABORATORY.
12. WATERLINES SHALL BE LOCATED A MINIMUM HORIZONTAL DISTANCE OF 10' FROM SANITARY SEWERS, WHERE LOCAL CONDITIONS PREVENT THIS SEPERATION, OR WHERE A CROSSING IS REQUIRED, WATERLINES SHALL BE PLACED AT LEAST 18" ABOVE THE TOP OF THE SEWER. IF THIS SEPERATION CANNOT BE OBTAINED, BOTH THE WATER AND SEWER LINES SHALL BE CONSTRUCTED OF DUCTILE IRON FOR THE LENGTH REQUIRED UNTIL 10' OF HORIZONTAL SEPERATION IS OBTAINED.

**ROADWAY NOTES:**

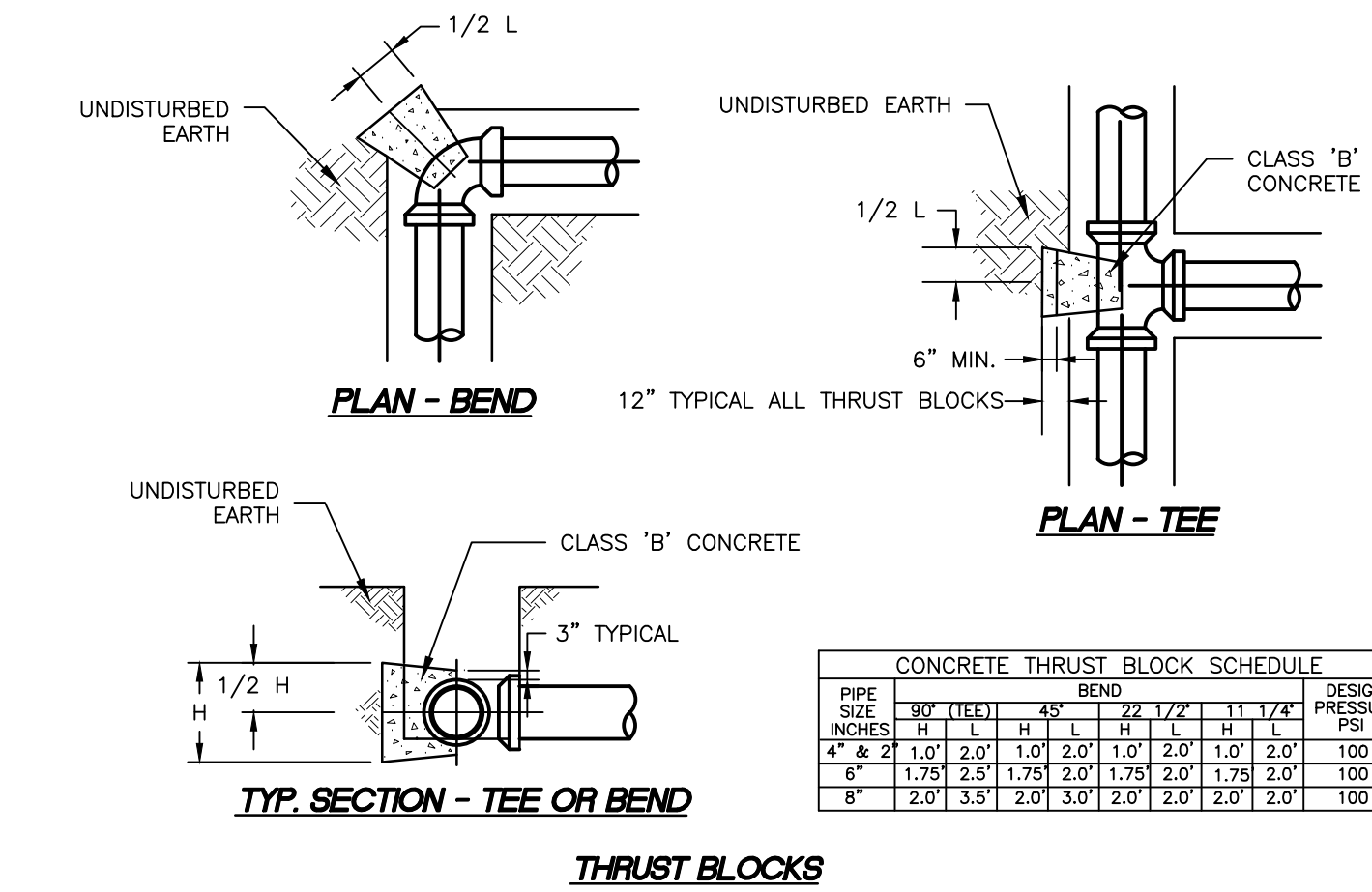
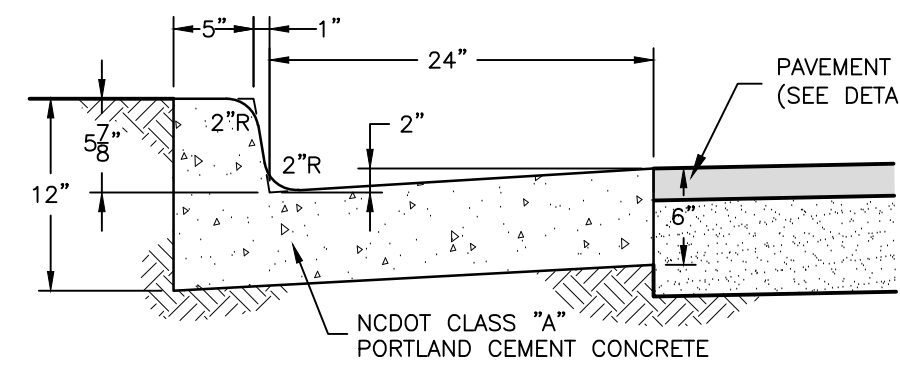
1. UNDERGROUND UTILITY LOCATIONS ARE APPROXIMATE AND SHALL BE FIELD VERIFIED PRIOR TO COMMENCEMENT OF ANY CONSTRUCTION ACTIVITIES. ADDITIONALLY, THE CONTRACTOR SHALL NOTIFY BOTH NC ONE CALL (811) 48 HOURS PRIOR TO ANY CONSTRUCTION ACTIVITIES.
2. ALL REQUIREMENTS OF THE EROSION AND SEDIMENT CONTROL PLAN SHALL BE IN PLACE PRIOR TO ANY CONSTRUCTION ACTIVITY.
3. ROADWAY CONSTRUCTION SHALL COMPLY WITH SECTION 36-5 "CONSTRUCTION STANDARDS" OF THE TOWN OF NAGS HEAD TOWN CODE.
4. CONSTRUCTION STAKING, INSPECTION AND TESTING REQUIREMENTS SHALL COMPLY WITH SECTION 36-7 "CONSTRUCTION STAKING, INSPECTION AND TESTING REQUIREMENTS" OF THE TOWN OF NAGS HEAD TOWN CODE.
5. IN LOCATIONS WHERE EXISTING PAVEMENT IS TO BE REMOVED, THE LIMITS OF THE REMOVAL SHALL BE NEATLY SAW CUT TO PRODUCE A CLEAN EDGE. BASE AND BACKFILL SHALL BE REPLACED IN A TIMELY MANNER AS TO PREVENT DAMAGE TO THE UNSUPPORTED FACE OF EXISTING PAVEMENT.
6. GRADING SHALL BE IN ACCORDANCE WITH NORTH CAROLINA DEPARTMENT OF TRANSPORTATION STANDARD SPECIFICATIONS SECTION 225 (ROADWAY EXCAVATION) AND 235 (EMBANKMENT). AGGREGATE BASE AND SHOULDERS SHALL BE IN ACCORDANCE WITH SECTION 520. BITUMINOUS ASPHALT CONCRETE SURFACE COURSE SHALL BE IN ACCORDANCE WITH SECTION 645.
7. UPON COMPLETION OF THE ROADWAY AND GRADING, THE CONTRACTOR SHALL STABILIZE ALL DISRUPTED AREAS WITH A PERMANENT VEGETATIVE GROUND COVER. IN ADDITION TO MEASURES NOTED IN THE EROSION AND SEDIMENT CONTROL PLANS, THE CONTRACTOR IS RESPONSIBLE FOR ALL APPLICABLE REGULATIONS SET FORTH BY THE TOWN OF NAGS HEAD.



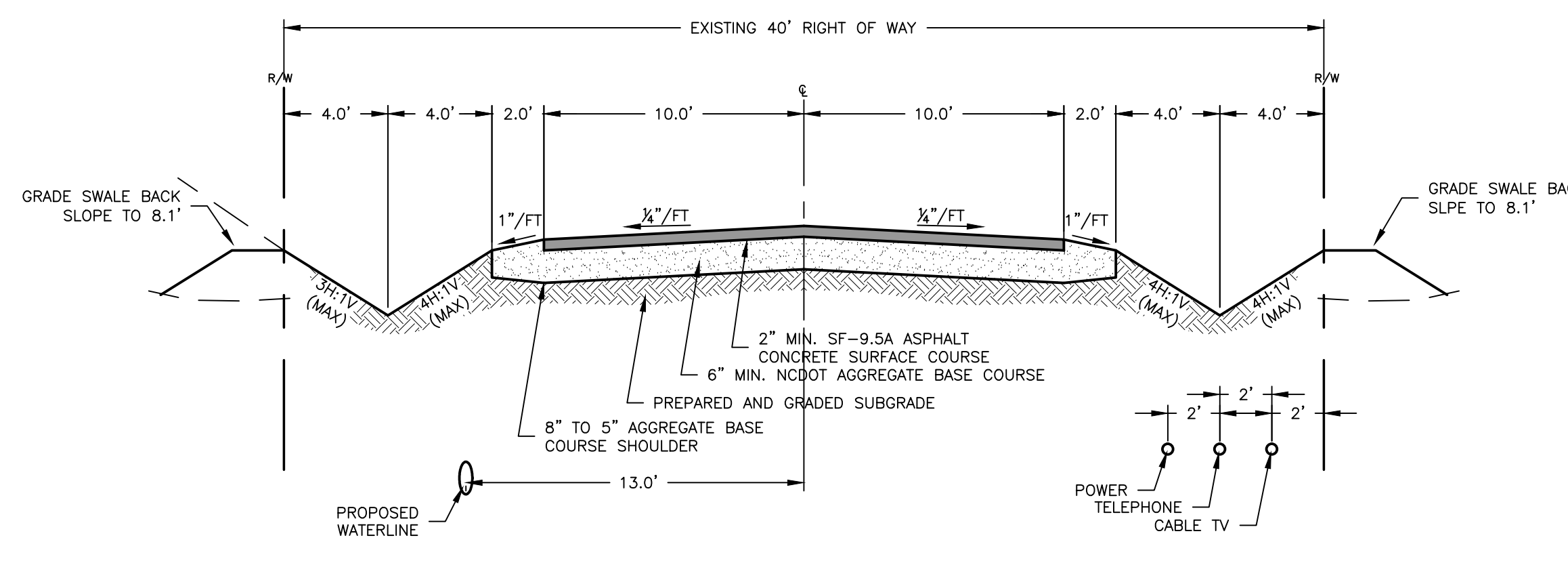
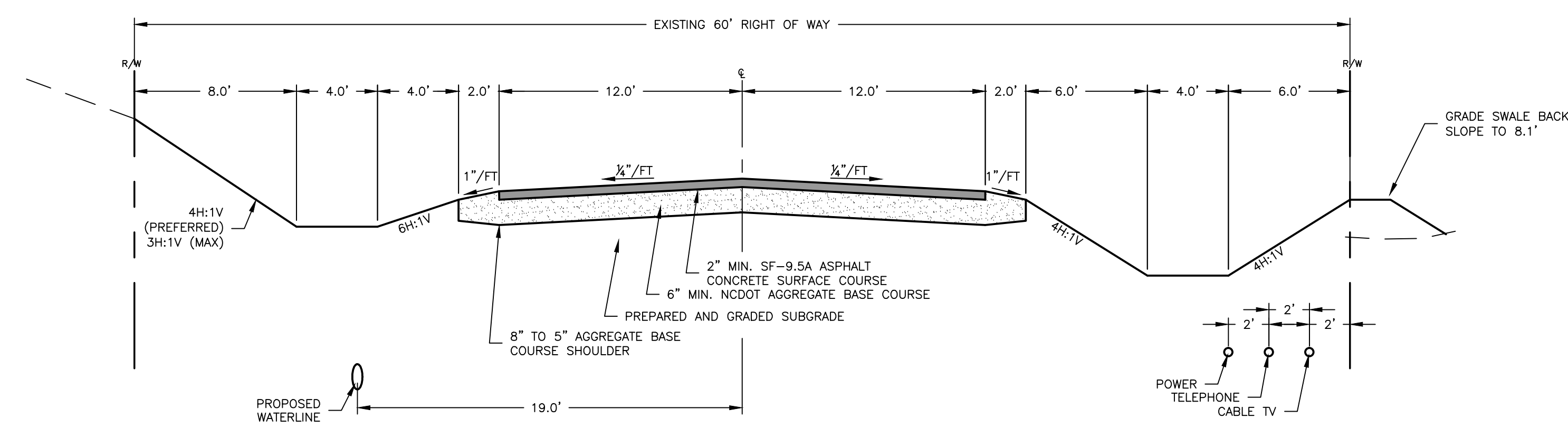
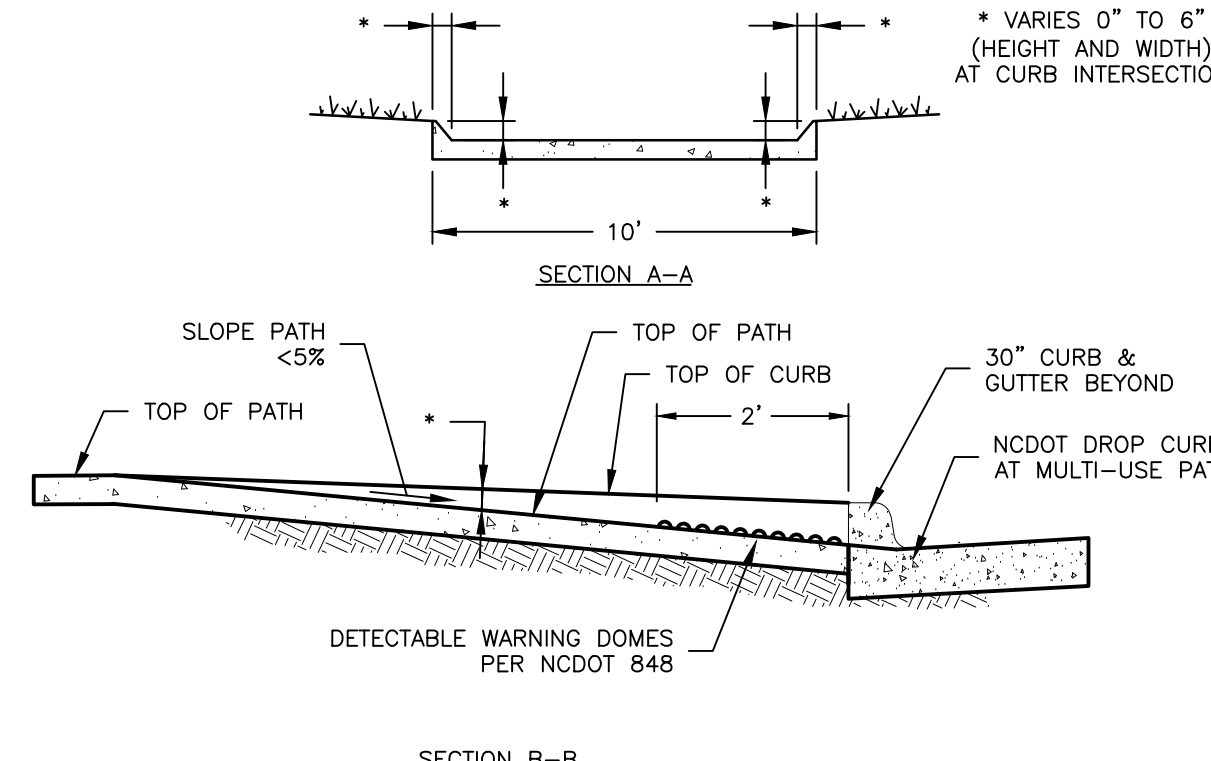
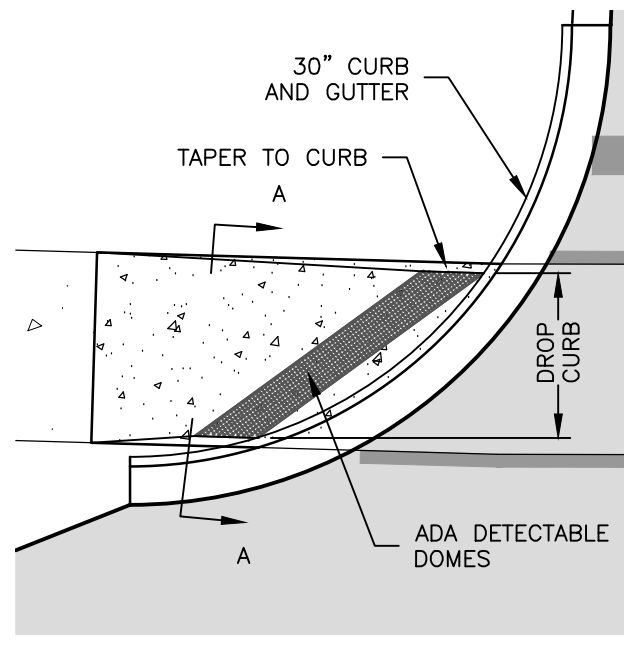
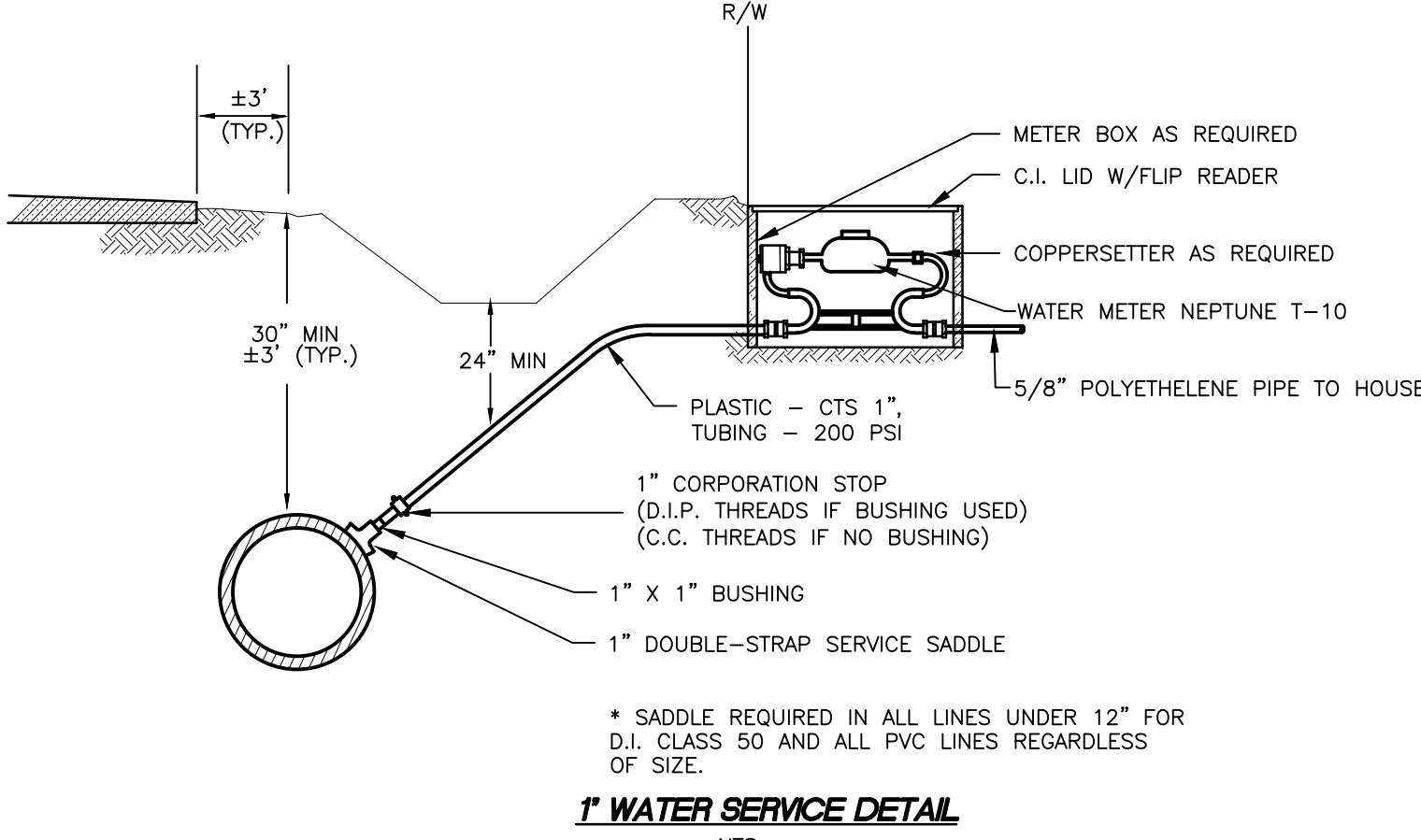
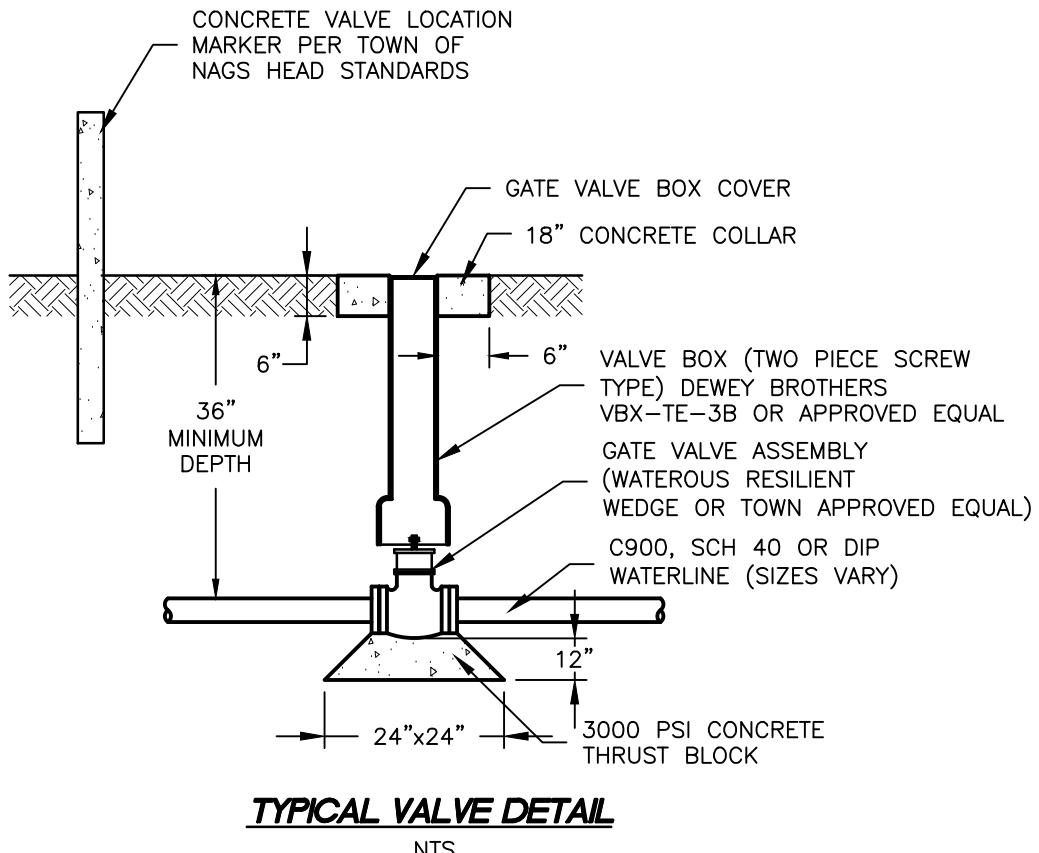
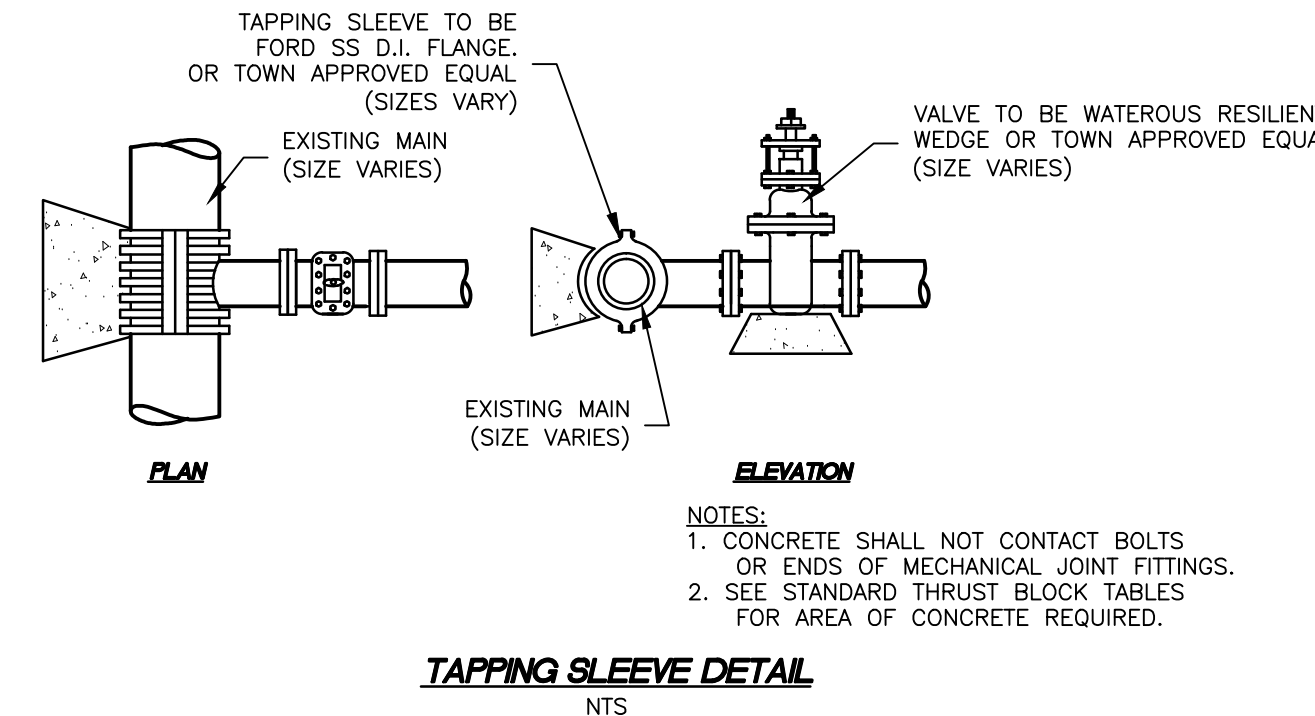
VALVE SIZE	Y (INCHES)
4"	18"
6"	27"
8"	36"



- NOTES:**
1. METHOD I IN AREAS OF UNCONSOLIDATED SOILS (SAND, GRAVEL, ETC.).
  2. METHOD II IN AREAS OF CONSOLIDATED SOILS (CLAY, HARDPAN, ROCK, ETC.).
  3. BEDDING AREA BACKFILL COMPACT TO 95% OF MAXIMUM DENSITY.

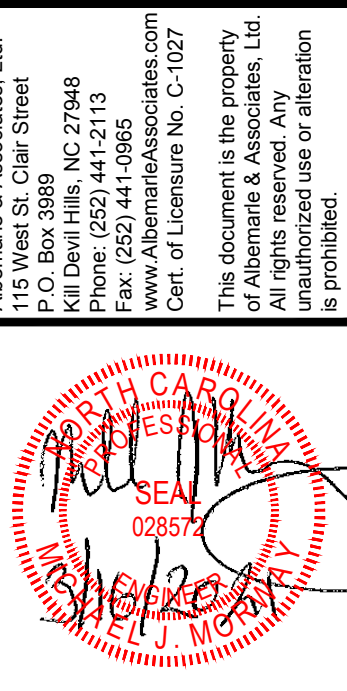


**FINAL DRAWING FOR PERMITTING**



NOTE: 0.18 TO 0.45 GAL/SYD PRIME COAT IS REQUIRED ON AGGREGATE BASE COURSE. THE PAVEMENT DESIGN SHOWN ARE MINIMUM THICKNESS AND SHOULD BE DESIGNED BASED UPON SUBGRADE SOIL CONDITIONS AND PLANNED TRAFFIC LOADING IMPACTS. NO BASE COURSE SHALL BE PLACED ON MUCK, CLAY, ORGANIC MATTER OR OTHER UNSUITABLE MATERIAL. OTHER BASE COURSES MAY BE USED IN LIEU OF THOSE SHOWN ABOVE. ALTERNATE MATERIALS SHALL BE OF SUFFICIENT THICKNESS TO PROVIDED EQUIVALENT STRENGTH AND SHALL BE APPROVED BY THE TOWN ENGINEER.

NOTE: 0.18 TO 0.45 GAL/SYD PRIME COAT IS REQUIRED ON AGGREGATE BASE COURSE. THE PAVEMENT DESIGN SHOWN ARE MINIMUM THICKNESS AND SHOULD BE DESIGNED BASED UPON SUBGRADE SOIL CONDITIONS AND PLANNED TRAFFIC LOADING IMPACTS. NO BASE COURSE SHALL BE PLACED ON MUCK, CLAY, ORGANIC MATTER OR OTHER UNSUITABLE MATERIAL. OTHER BASE COURSES MAY BE USED IN LIEU OF THOSE SHOWN ABOVE. ALTERNATE MATERIALS SHALL BE OF SUFFICIENT THICKNESS TO PROVIDED EQUIVALENT STRENGTH AND SHALL BE APPROVED BY THE TOWN ENGINEER.



NO.	DATE	DESCRIPTION	APPROVED BY

**ROADWAY AND WATERLINE DETAILS**  
**CABEACH, LLC**  
**WEST COASTAL WAY (FOURTH ST)**  
NORTH CAROLINA  
DARE COUNTY  
NAGS HEAD TOWNSHIP  
MACS HEAD

DATE:	01/29/2021
SURVEYED:	SEE NOTES
DESIGNED:	MJM
DRAWN:	RCA
CHECKED:	MJM
FILE:	08416A-ROAD

SCALE:  
**AS SHOWN**  
**C702**  
PROJ. NO. 08416A